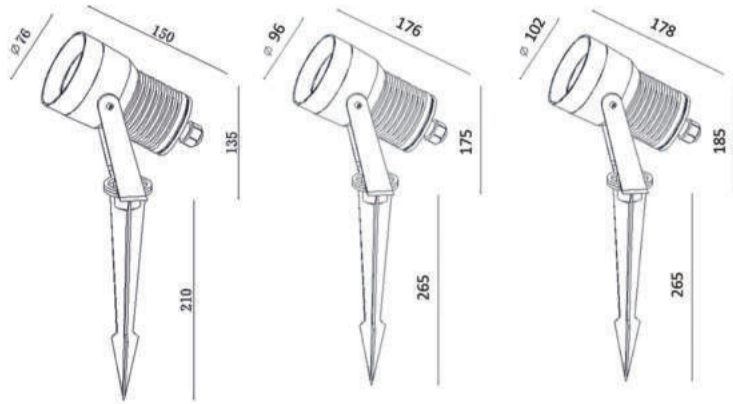




# Octav

Projector and Spikes



### DESCRIPTION

Octav LED outdoor projector with CNC heat sink body gives it highest thermal management performance, gives high lighting performances in different dimensions.

**PHILIPS**

Driver

**CREE**

LED CHIP



Die-cast Aluminum  
- Tempered Glass



<5



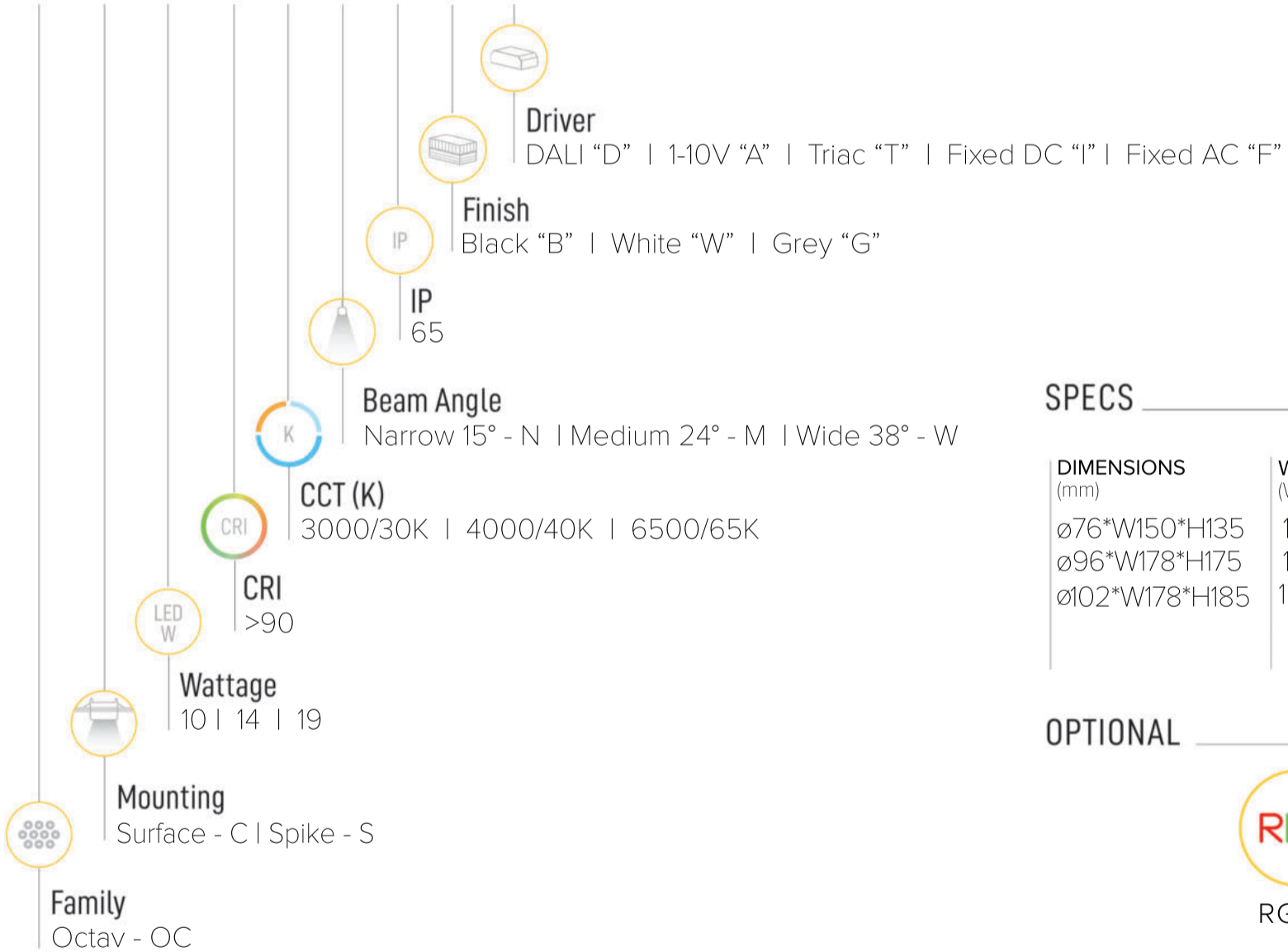
50,000 hrs



>90

### PRODUCT CODING SYSTEM

BR - OC X XX . 9 XX X 65 X - X



### SPECS

DIMENSIONS (mm)	WATTAGE (W)	LUMEN (LM)
ø76*W150*H135	10	1000
ø96*W178*H175	14	1400
ø102*W178*H185	19	1900

### OPTIONAL



RGB



Dimmable

### BEAM ANGLE

